

REM equipment and machine vibration isolation mounts with rebound control

Applications include: compressors, gensets, motors, pumps and other rotating machinery, electronic, hydraulic equipment, scientific and other equipment.

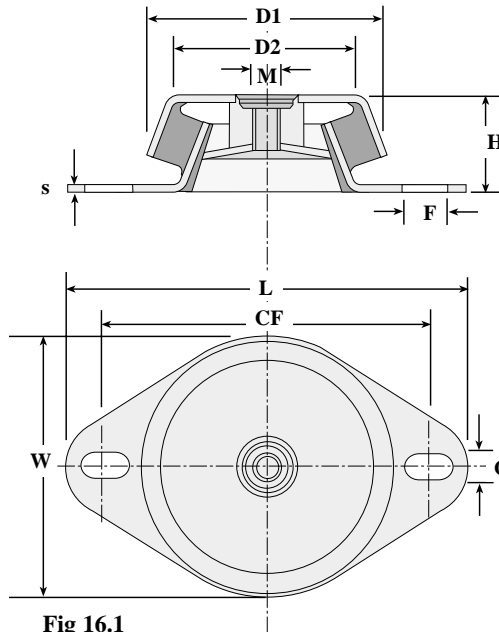


Fig 16.1

Stock Availability

(subject to change)

- 1) Generally ex stock
- 2) 2-3 days
- 3) Subject to quotation

Order Example:

REM 0601045

REM, Natural Rubber (NR)																
Farrat Code	D1	D2	L	W	H	M	G	F	CF	S	Rubber		Max. Load N	Vert. Spring Rate N/mm	Defl. at Max. Load mm	Stock
	Cover mm	Cover Top mm	Base Length mm	Base Width mm	Height mm	Thread mm	Slot Width mm	Slot Length mm	Fixing Centres	mm	Grade	Hardness Ihrd Sh.A				
REM 0601045	60	38	106	60	35	M10x1.5	8.3	16	75-90	2	NR	45	950	297	3.20	2
REM 0601060	60	38	106	60	35	M10x1.5	8.3	16	75-90	2	NR	60	1700	567	3.00	2
REM 0601245	60	38	106	60	35	M12x1.75	8.3	16	75-90	2	NR	45	950	297	3.20	2
REM 0601260	60	38	106	60	35	M12x1.75	8.3	16	75-90	2	NR	60	1700	567	3.00	2
REM 0621245	60	50	106	60	31	M12x1.5	8.3	16	75-90	3	NR	45	1600	533	3.00	2
REM 0621260	60	50	106	60	31	M12x1.5	8.3	16	75-90	3	NR	60	3000	1111	2.70	2
REM 0771045	77	59	128	77	30	M10x1.5	9	9	110	2	NR	45	1200	387	3.10	3
REM 0771060	77	59	128	77	30	M10x1.5	9	9	110	2	NR	60	2800	933	3.00	2
REM 0921245	92	73.5	128	92	45	M12x1.75	10.5	10.5	110	3	NR	45	3500	921	3.80	2
REM 0921260	92	73.5	128	92	45	M12x1.75	10.5	10.5	110	3	NR	60	6000	1818	3.30	2
REM 0931045	93	70	144	93	35	M10x1.5	10	10	124	2.5	NR	45	1800	581	3.10	2
REM 0931060	93	70	144	93	35	M10x1.5	10	10	124	2.5	NR	60	4000	1333	3.00	2
REM 1061245	106	81	172	106	38	M12x1.75	14	18	138-146	3	NR	45	2750	809	3.40	2
REM 1061260	106	81	172	106	38	M12x1.75	14	18	138-146	3	NR	60	5100	1759	2.90	3
REM 1061645	106	81	172	106	38	M16x2	14	18	138-146	3	NR	45	2750	809	3.40	2
REM 1061660	106	81	172	106	38	M16x2	14	18	138-146	3	NR	60	5100	1759	2.90	2
REM 1061670	106	81	172	106	38	M16x2	14	18	138-146	3	NR	70	10000	3448	2.90	2
REM 1081645	108	83	190	108	50	M16x2	16.5	16.5	160	5	NR	45	4000	1212	3.30	3
REM 1081660	108	83	190	108	50	M16x2	16.5	16.5	160	5	NR	60	8500	2833	3.00	2
REM 1081670	108	83	190	108	50	M16x2	16.5	16.5	160	5	NR	70	14000	5385	2.60	2
REM 1211645	121	92	188	121	42	M16x2	14	14	158	3	NR	45	4250	1063	4.00	2
REM 1211660	121	92	188	121	42	M16x2	14	14	158	3	NR	60	6800	1943	3.50	2
REM 1441645	144	121	216	144	48	M16x2	14	18	186	4	NR	45	8000	1000	8.00	2
REM 1441660	144	121	216	144	48	M16x2	14	18	186	4	NR	60	14000	1944	7.20	3

Previous code prefix: CCF

All metal parts bright zinc plated mild steel