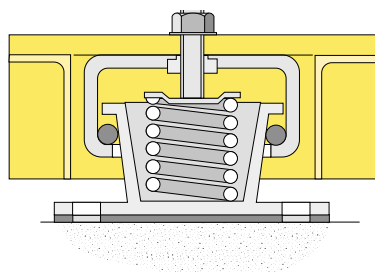
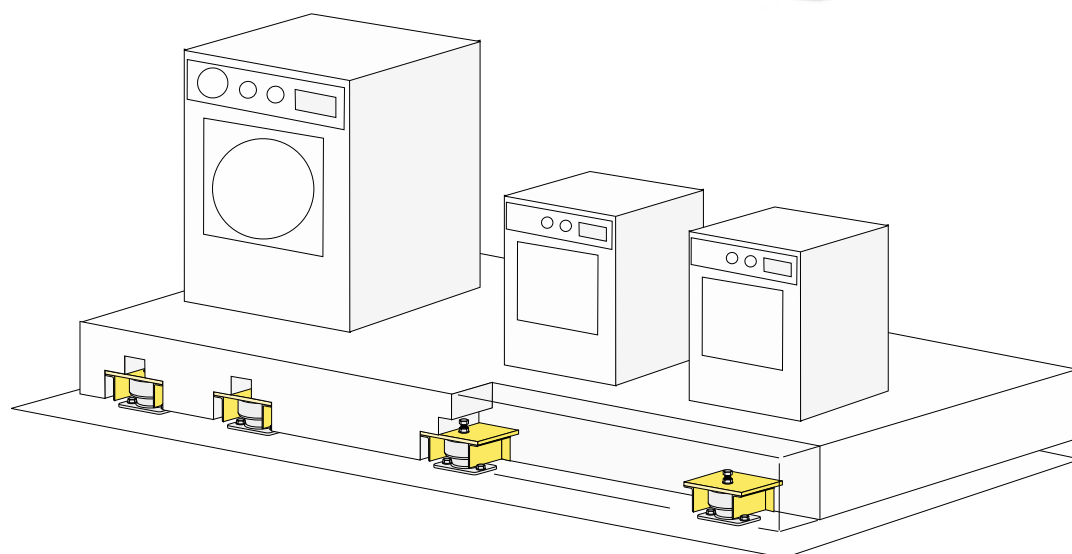


SM Spring Isolators

For a active and passive vibration isolation of a wide range of plant, machinery and equipment



www.farrat.com



Mounts for levelling, shock and vibration absorption

Farrat SM Spring Mounts are low stiffness anti-vibration mountings with adjustable levelling and damping control for efficient isolation of dynamic (active) machinery and protection of sensitive (passive) equipment and machinery.

High deflection helical steel springs are contained in stove enamelled aluminium housings to provide a robust and reliable low frequency isolator. The levelling-fixing screw with locknut are zinc plated. Gunmetal versions of sizes suffix **G** on request.

Typical applications include:

- Compressors and Pump Sets
- Power Generating & CHP Units
- Plinth isolation of industrial washing machines
- Scientific & Test Equipment
- Measuring Equipment
- Engine Test Beds
- HVAC



Fig 2.1

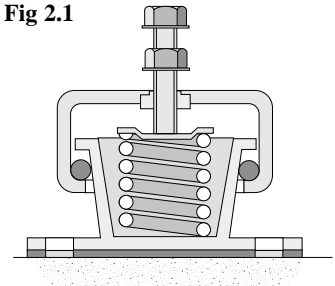
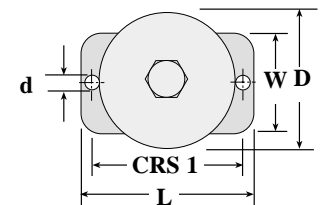
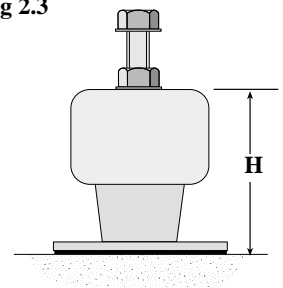


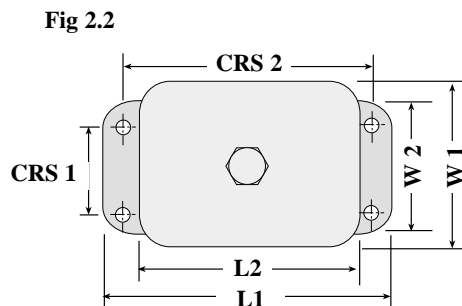
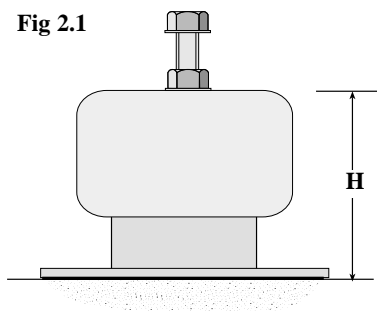
Fig 2.3



Farrat Code	All dimensions in mm					Max working Height H	Fixing-levelling Screw
	D	L	W	CRS	d		
SM.CR	53	77	39	55	7.5	59	M8 x 40
SM.CS	71	98	57	76	9.5	77	M10 x 60
SM.CM	98	150	85	127	13.5	87	M10 x 60
SM.CT	123	171	109	140	14.0	120	M12 x 70
SM.CX	170	223	147	178	18.5	149	M20 x 80
SM.CS-G	70	98	57	76	9.5	76	M10 x 60
SM.CM-G	98	152	89	127	13.5	87	M10 x 60
SM.CT-G	123	171	109	140	14.0	120	M12 x 70
SM.CR-NB	53	(M8 tapped hole in base)				50	M8 x 40

Suffixes:

- G Gun metal housing for marine and other hostile applications
- NB Without baseplate



Farrat Code	All dimensions in mm							Max working Height H	Fixing-levelling Screw
	W1	W2	L1	L2	CRS1	CRS2	d		
MS	140	114	203	140	-	171	14	87	M12 x70
LS	208	171	270	208	133	231	14	124	M20 x80
LR	203	171	330	268	133	292	14	122	M20 x80
LRX	235	194	368	302	149	327	14	149	M24 x80

In order to allow for tolerances of equipment mass and its distribution over a group of isolators make a selection so that the calculated load on each mount is near to 20mm deflection band

Farrat Code	Minimum Load 12mm Deflection 4.5 Hz Load kg	Average Load 20mm Deflection 3.6 Hz Load kg	Maximum Load 25mm Deflection 3.2 Hz Load kg	Vertical Spring Rate N/mm	Maximum Static Load kN	Static Deflection at Max Load mm
SM.LS 1200	273	436	545	218	5.450	25
SM.LS 1400	318	509	636	254	6.360	25
SM.LS 1600	364	582	727	291	7.270	25
SM.LS 1800	409	655	818	328	8.200	25
SM.LS 2000	455	727	909	364	9.100	25
SM.LS 2300	523	836	1045	418	10.450	25
SM.LS 2600	591	945	1182	473	11.820	25
SM.LS 2900	659	1055	1318	528	13.200	25
SM.LS 3200	727	1164	1455	582	14.550	25
SM.LR 2100	477	764	955	382	9.550	25
SM.LR 2400	545	873	1091	436	10.900	25
SM.LR 2700	614	982	1227	491	12.270	25
SM.LR 3000	682	1091	1364	546	13.640	25
SM.LR 3300	750	1200	1500	600	15.000	25
SM.LR 3600	818	1309	1636	654	16.360	25
SM.LR 3900	886	1418	1773	710	17.750	25
SM.LR 4200	955	1527	1909	764	19.100	25
SM.LR 4500	1023	1636	2045	818	20.450	25
SM.LR 4800	1091	1745	2182	873	21.820	25
SM.LRX 3800	864	1382	1727	691	17.270	25
SM.LRX 4560	1036	1658	2073	829	20.730	25
SM.LRX 5120	1164	1862	2327	931	23.270	25
SM.LRX 5400	1227	1964	2455	982	24.550	25
SM.LRX 5900	1341	2145	2682	1072	26.800	25
SM.LRX 6400	1455	2327	2909	1164	29.100	25
SM.LRX 6900	1568	2509	3136	1256	31.400	25
SM.LRX 7400	1682	2691	3364	1346	33.650	25
SM.LRX 7900	1795	2873	3591	1436	35.900	25
SM.LRX 8400	1909	3055	3818	1528	38.200	25

Stock Availability (subject to change)
Generally 2-5 days (please check with Farrat when ordering)

Order Examples: SM.LS 2300 (Standard)
SM.CMG 550 (Gunmetal)

For optimum performance use the selection guide above or overleaf. If in doubt contact Farrat for assistance.
A separate installation instruction sheet is supplied with mounts or upon request

Fig 3.1

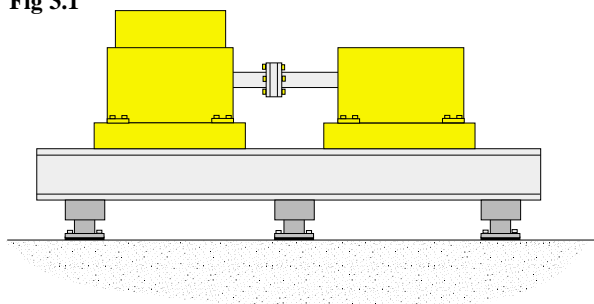
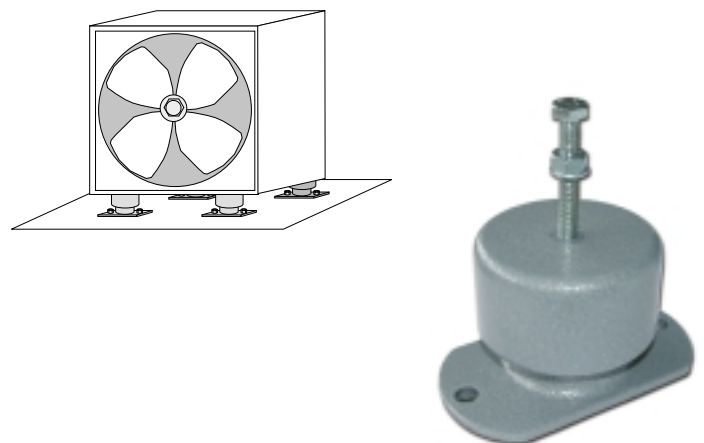


Fig 3.2



Farrat Code	Minimum Load 12mm Deflection 4.5 Hz Load kg	Average Load 20mm Deflection 3.6 Hz Load kg	Maximum Load 25mm Deflection 3.2 Hz Load kg	Vertical Spring Rate N/mm	Maximum Static Load N	Static Deflection at Max Load mm
SM.CR 11	3	4	5	2	50	25
SM.CR 20	5	7	9	4	90	25
SM.CR 30	7	11	14	6	140	25
SM.CR 50	11	18	23	9	230	25
SM.CR 60	14	22	2	11	270	25
SM.CR 75	17	27	34	14	340	25
SM.CS 100	23	36	45	18	450	25
SM.CS 150	34	55	68	27	680	25
SM.CS 200	45	73	91	36	900	25
SM.CS 250	57	91	114	46	1140	25
SM.CS 300	68	109	136	54	1360	25
SM.CM 250	57	91	114	46	1140	25
SM.CM 350	80	127	159	64	1590	25
SM.CM 450	102	164	205	82	2050	25
SM.CM 550	125	200	250	100	2500	25
SM.CM 650	148	236	295	118	2950	25
SM.CM 750	170	273	341	136	3400	25
SM.CM 900	205	327	409	164	4090	25
SM.CT 300	68	109	136	54	1360	25
SM.CT 400	91	145	182	73	1820	25
SM.CT 500	114	182	227	91	2270	25
SM.CT 650	148	236	295	118	2950	25
SM.CT 900	205	327	409	164	4090	25
SM.CT 1000	227	364	455	182	4540	25
SM.CT 1150	261	418	523	209	5230	25
SM.CT 1250	284	455	568	227	5680	25
SM.CT 1320	300	480	600	240	6000	25
SM.CT 1400	318	509	636	254	6360	25
SM.CX 800	182	291	364	146	3640	25
SM.CX 1000	227	364	455	182	4550	25
SM.CX 1200	273	436	545	218	5450	25
SM.CX 1400	318	509	636	254	6360	25
SM.CX 1600	364	582	727	291	7270	25
SM.CX 2000	455	727	909	364	9090	25
SM.CX 2200	500	800	1000	400	10000	25
SM.CX 2400	545	873	1091	436	10910	25
SM.CX 2600	591	945	1182	473	11820	25
SM.CX 2800	636	1018	1273	509	12730	25
SM.MS 500	114	182	227	91	2270	25
SM.MS 660	150	240	300	120	3000	25
SM.MS 750	170	273	341	136	3400	25
SM.MS 860	195	313	391	156	3900	25
SM.MS 1000	227	364	455	180	4500	25
SM.MS 1100	250	400	500	200	5000	25
SM.MS 1250	284	455	568	228	5700	25
SM.MS 1400	318	509	636	256	6400	25
SM.MS 1500	341	545	682	272	6800	25
SM.MS 1600	364	582	727	291	7270	25
SM.MS 1750	398	636	795	320	8000	25



Farrat Isolevel Ltd.

Balmoral Road, Altrincham, Cheshire WA15 8HJ. England GB

Tel: +44 (0) 161 924 1600 Fax: +44 (0) 161 924 1616

email: sales@farrat.com www.farrat.com